

GMF SERIES

GMF90

90kV Microfocus X-Ray Source



TECHNICAL SPECIFICATIONS

Tube Voltage Output	20-90kV
Tube Current Output	0-180 μ A
Maximum Tube Power	8W
Target Material	Tungsten
Window Material/ Thickness	Be/ 0.1mm
Window Diameter	8mm
Focal Object Distance (FOD)	10.2 \pm 0.2mm Beam Angle
Beam Angle	45 \pm 3 $^\circ$
Input Voltage (DC)	24 \pm 0.5V

Power Consumption	< 35W
Weight	Approx. 5.6kgs
Safety Interlock	External Circuit
Communication	RS232 9 Pin D-Sub
Duty Cycle	Continuous
Storage Temperature	-25 $^\circ$ C to 70 $^\circ$ C
Operating Temperature	5 $^\circ$ C to 40 $^\circ$ C
Humidity	< 90% Non-condensing

JIMA RESOLUTION

Resolution	$\leq 5\mu$ m	$\leq 6\mu$ m	$\leq 9\mu$ m
Tube Power	P < 4W (55-90kV)	P < 4W (45-55kV)	4W \leq P < 8W

X-RAY

GENERATORS • CONTROLLERS • TUBES

Gulmay is a designer and manufacturer of high voltage generators, x-ray generators and x-ray controllers.

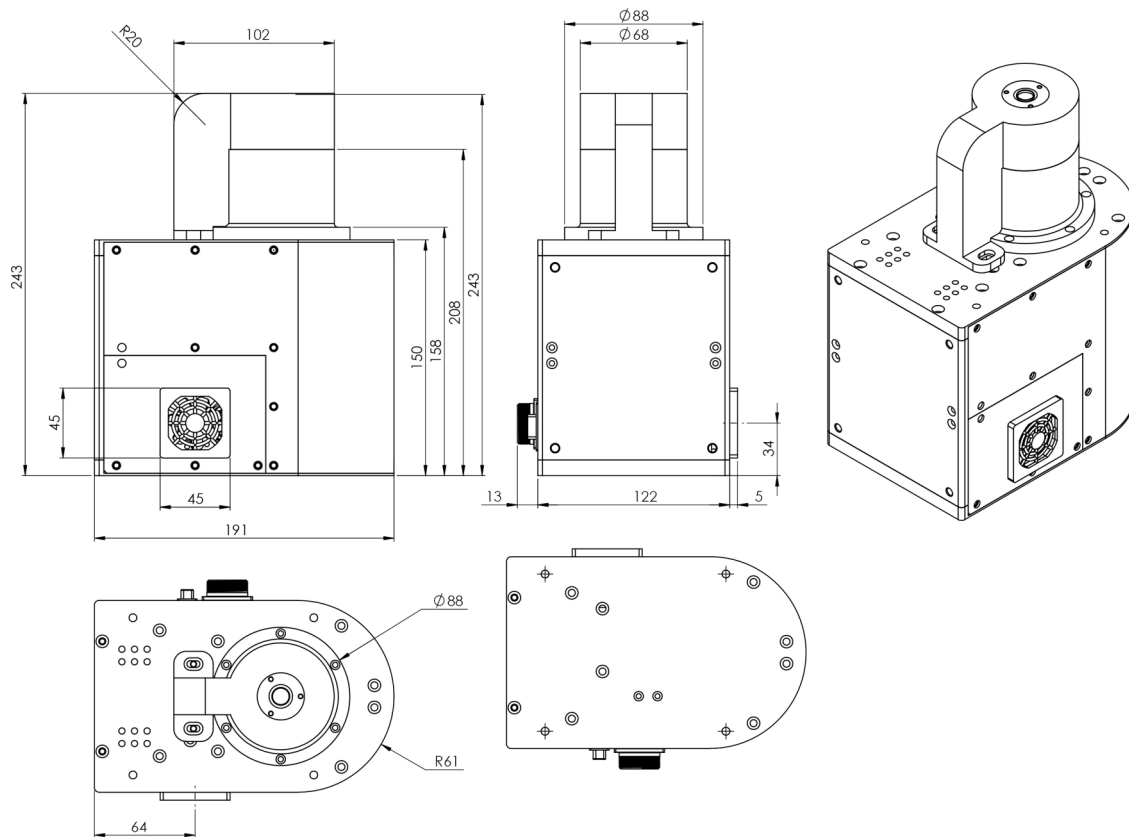
Our extensive range of class-leading x-ray generators is complimented by a broad range of components including x-ray tubes from the world's leading manufacturers, high voltage cables, coolers, and complete turnkey sub-systems, configured and optimised for straightforward system integration.



The Gulmay GMF Series.....

GMF series integrated generators are compact, high performance microfocus x-ray sources offering a straightforward solution to a wide range of imaging requirements. With an oil-filled high voltage module which follows the proven Gulmay design philosophy, these compact x-ray sources offer precise, repeatable and stable x-ray emission with high output power and strong penetration ability.

Dimensions



GULMAY Limited
United Kingdom
Telephone: +44 (0)1932 339850
Email : sales@gulmay.com

GULMAY GmbH
Germany
Email: sales@gulmay.eu

GULMAY Incorporated
United States Of America
Telephone: + 1 678 482 6800
Email: sales@gulmayinc.com

GULMAY Electronic Equipment (Shanghai) Co.Ltd
P.R.China
Telephone: +86 21 6480 6580
Email: victor.qin@gulmay.cn

