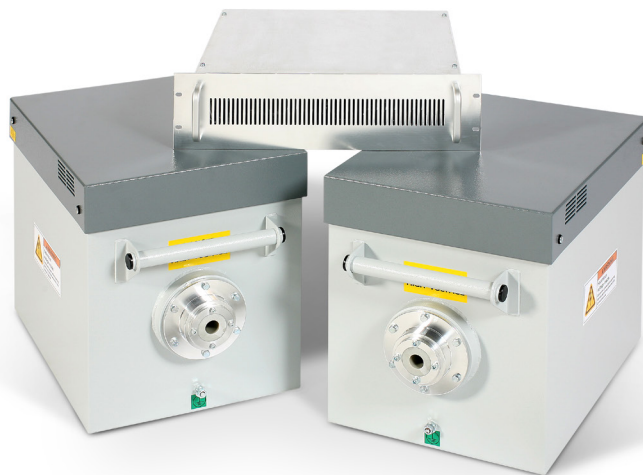


# FC320

## TECHNICAL SPECIFICATION

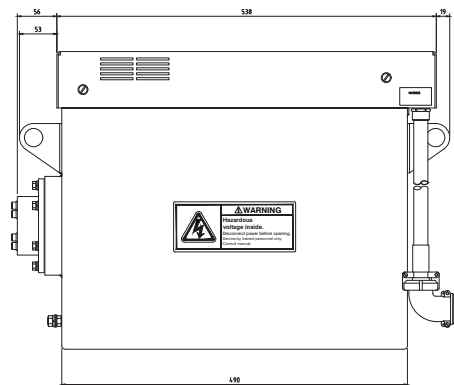
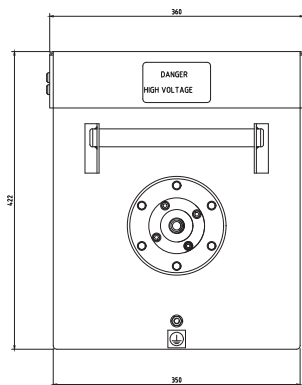
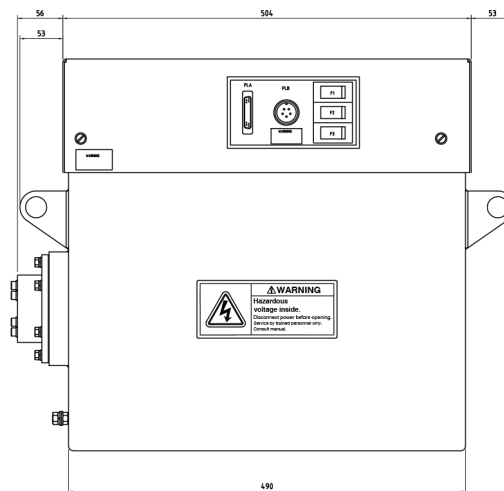
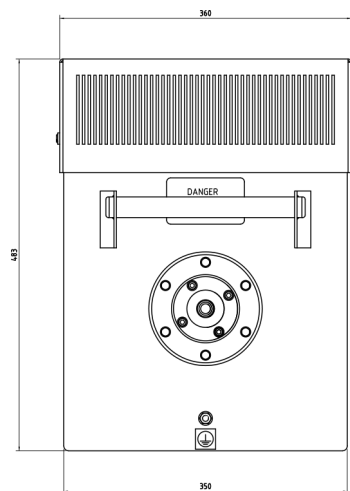


Maximum Power	1,000 W
kV Range	320 kV
kV Accuracy	± 1% of Demand Value
kV Reproducibility	Better than ± 0.05 kV
High Voltage Ripple	<5.0 V/mA with 10m High Voltage Cable
mA Range	0 - 8mA Max
mA Accuracy	± 0.5% of Demand Value
mA Reproducibility	Better Than 2µA
Input Voltage	220 V ±10% 47 - 63 Hz
Input Current	10.6 A at 220 V
Output Connector	R24
Dimensions Cathode mm (W x H X D)	360 x 428 x 610 mm
Dimensions Anode mm (W x H X D)	360 x 428 x 610 mm
Weight kg (Combined)	114 kg
Storage Temperature	-40° C to + 70° C
Operational Temperature	0°C to + 40°C
Relative Humidity	95%
Duty Cycle	100%
Comms	Analogue / RS232 / RS422 / Ethernet

# X-RAY

GENERATORS • CONTROLLERS • TUBES

The FC320 is a complete x-ray sub-system solution for OEM integration widely used in x-ray security applications. Security requirements for the air cargo industry are constantly evolving, driven by global threats that are increasingly becoming more dangerous and sophisticated. Gulmay are proud to introduce the FC320 which provides a solution for Security x-ray system manufacturers all around the world.



GULMAY Limited  
Cyan House, 1 Canada Road, Byfleet, Surrey, KT14 7JL  
United Kingdom  
Telephone: +44 01932 339850

