

# CF450

## TECHNICAL SPECIFICATION

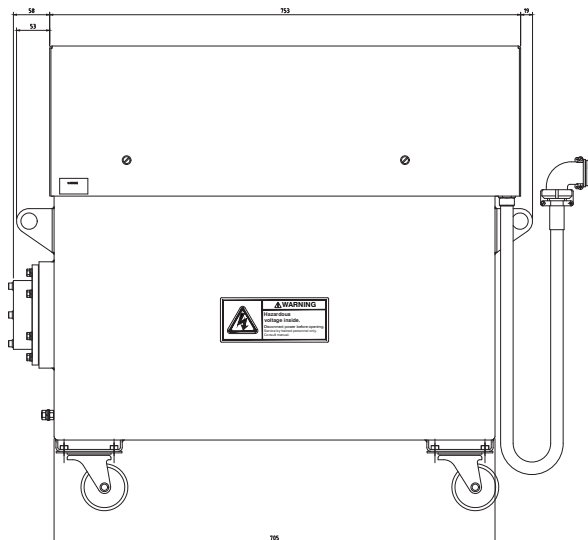
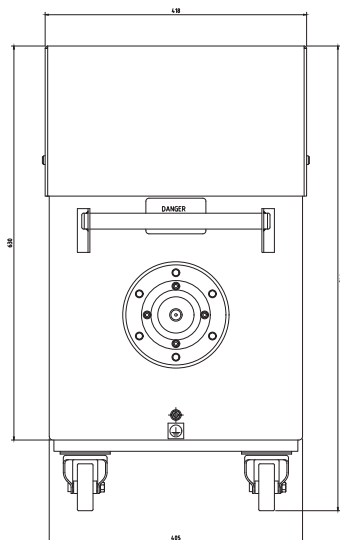
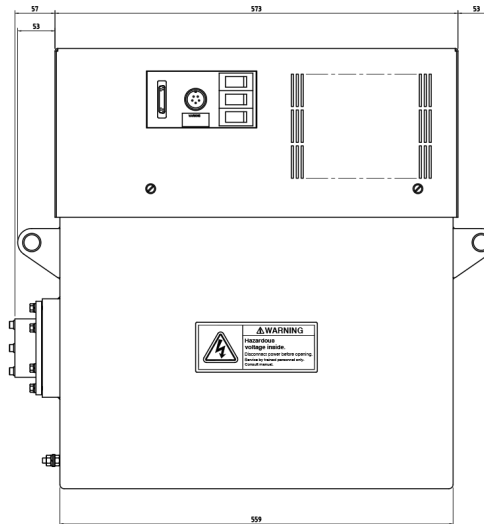
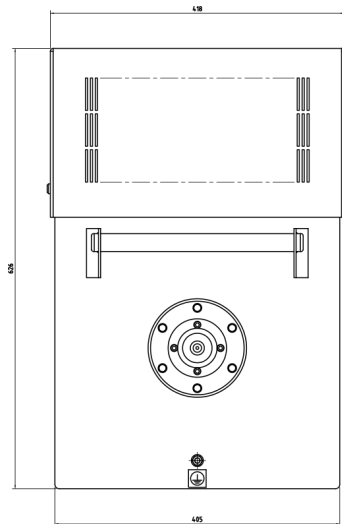


Maximum Power	1800 W
kV Range	10 – 450 kV
kV Accuracy	± 1% of Demand Value
kV Reproducibility	Better Than ± 0.05 kV
High Voltage Ripple	<5.0V/mA with 10M High Voltage Cable
mA Range	0 – 10 mA
mA Accuracy	± 0.5% of Demand Value
mA Reproducibility	Better Than 2µA
Input Voltage	220 V ±10% 47 – 63 Hz
Input Current	13 A at 220 V
Output Connector	R30
Dimensions Cathode (W x H X D)	418 x 630 x 830
Dimensions Anode (W x H X D)	418 x 630 x 830
Weight	310 kg (combined)
Storage Temperature	-40° C to + 70° C
Operational Temperature	0°C to + 40°C
Relative Humidity	95%
Duty Cycle	100%
Comms	Analogue / RS232 / RS422

# X-RAY

GENERATORS • CONTROLLERS • TUBES

CF series generators are designed to offer a cost-effective solution to powering high-power small focal spot x-ray tubes by perfectly marrying the 1800W power output of the tube. Operating at 45KHz and using Gulmay's variable frequency technology, the CF is an efficient and versatile generator ideal for a broad array of applications including CT, gauging, precision calibration and a range of real time NDT inspection.



GULMAY Limited  
Cyan House, 1 Canada Road, Byfleet, Surrey, KT14 7JL  
United Kingdom  
Telephone: +44 01932 339850

